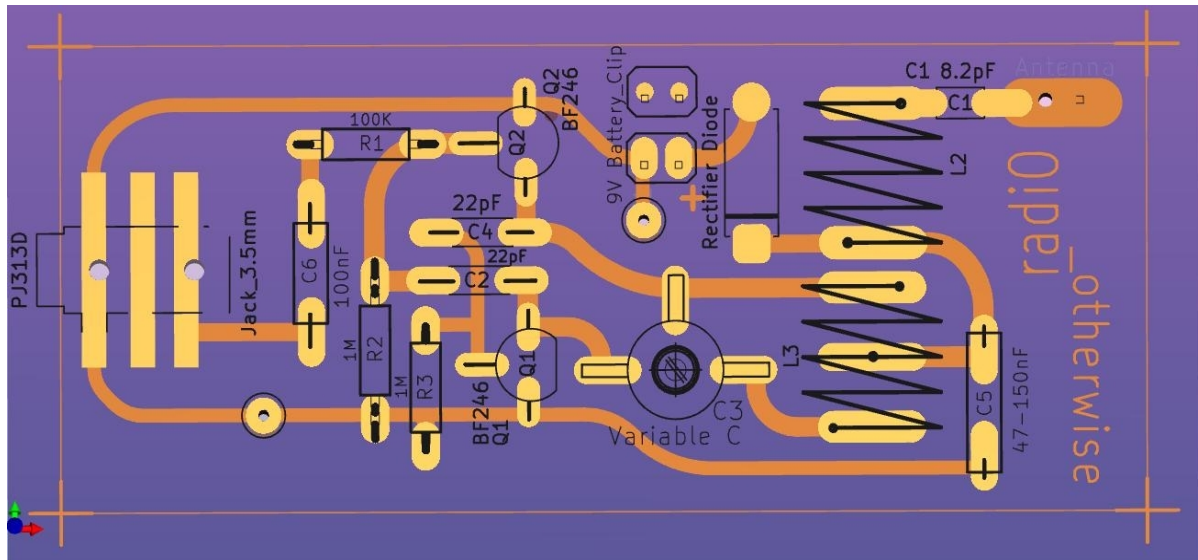


RADIO OTHERWISE

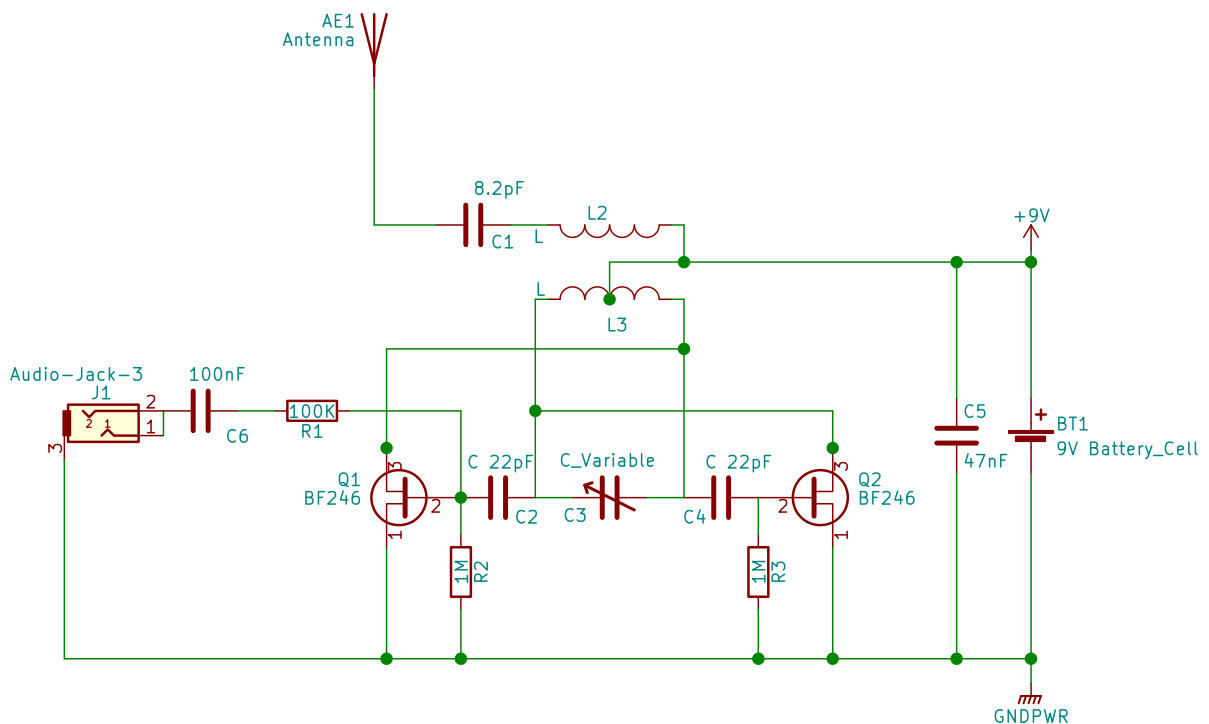
πneapple

MINI-FM Transmitter Kit



Bill of Materials:

- 2x 22pF Ceramic Capacitor C2, C4 (221)
- 2x BF246 N-Fet Transistor Q1, Q2 (F246)
- 2x 1M Resistor R2, R3 (brown-black-green)
- 1x 100nF film-capacitor C6 (0.1))
- 1x 3,5mm Audio Jack Socket J1
- 1x Variable capacitance Trimmer C3
- 1x Air wound Inductor with center tap L3
- 1x Air wound Inductor L2
- 1x 47 - 220 nF Film Capacitor C5 (0.047 - 0.22)
- 1x 8.2pF Ceramic Capacitor C1 (8.1)
- 1x Battery Connector
- 1x 80cm Wire Antenna
- 1X Rectifier Diode Type 1N4004, 1N400...



•

JFET Transistors

<https://en.wikipedia.org/wiki/JFET>

https://books.google.de/books?id=jr5nAgAAQBAJ&pg=PA343&redir_esc=y#v=onepage&q&f=false

https://link.springer.com/chapter/10.1007%2F978-1-4684-7263-9_11#page-1

http://www.linearsystems.com/lldata/others/LIS_White_Paper_Consider_Discrete_JFET.pdf

http://athene.delta.uni-dortmund.de/scripts/Elektronik_SS05/Skript_Teil_2.p

Historical JFET FM Transmitter Circuits

<http://arminkaul.com/Medien/Versand/Buecher/Minispione/minispion01.gif>

<https://fahriemjeblog.wordpress.com/2011/01/09/usb-mono-fm-transmitter/>

https://en.wikipedia.org/wiki/Frequency_modulation

<http://www.angelfire.com/zine2/gerrus4444/piradio.htm>

<http://kulturserver-berlin.de/home/piradio/bilder/kippkomp.pdf>